



IN8259

Trade Van Racking - Drop-Down Door

SUPPLIED COMPONENTS

AS3336 X1

(FIXING BRACKET SINGLE - LEFT)



AS3337 X1

(FIXING BRACKET SINGLE - RIGHT)



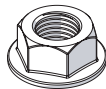
AS3339 X1

(FIXING BRACKET DOUBLE - RIGHT)



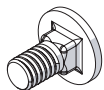
FX4011 X4

(M8 FLANGE NUT)



FX4141 X4

(M8X16 COACH BOLT)



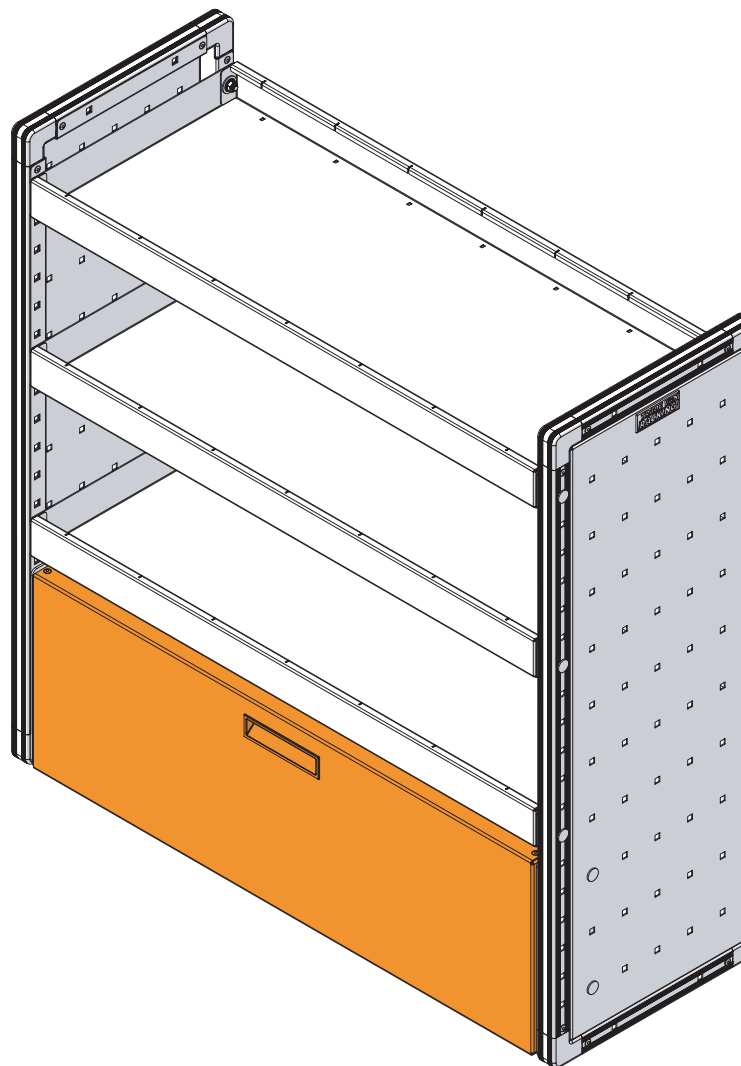
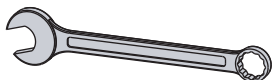
FX4200 X2

(NYLON WASHER)



TOOLS REQUIRED

13MM X1



Customercare@van-guard.co.uk

UK +44 (0) 1392 368 351

This FITTING INSTRUCTION is the property of VAN GUARD ACCESSORIES LTD. and must not be used for manufacturing purposes, copied nor communicated in any way to third parties without written permission from VAN GUARD ACCESSORIES LTD.

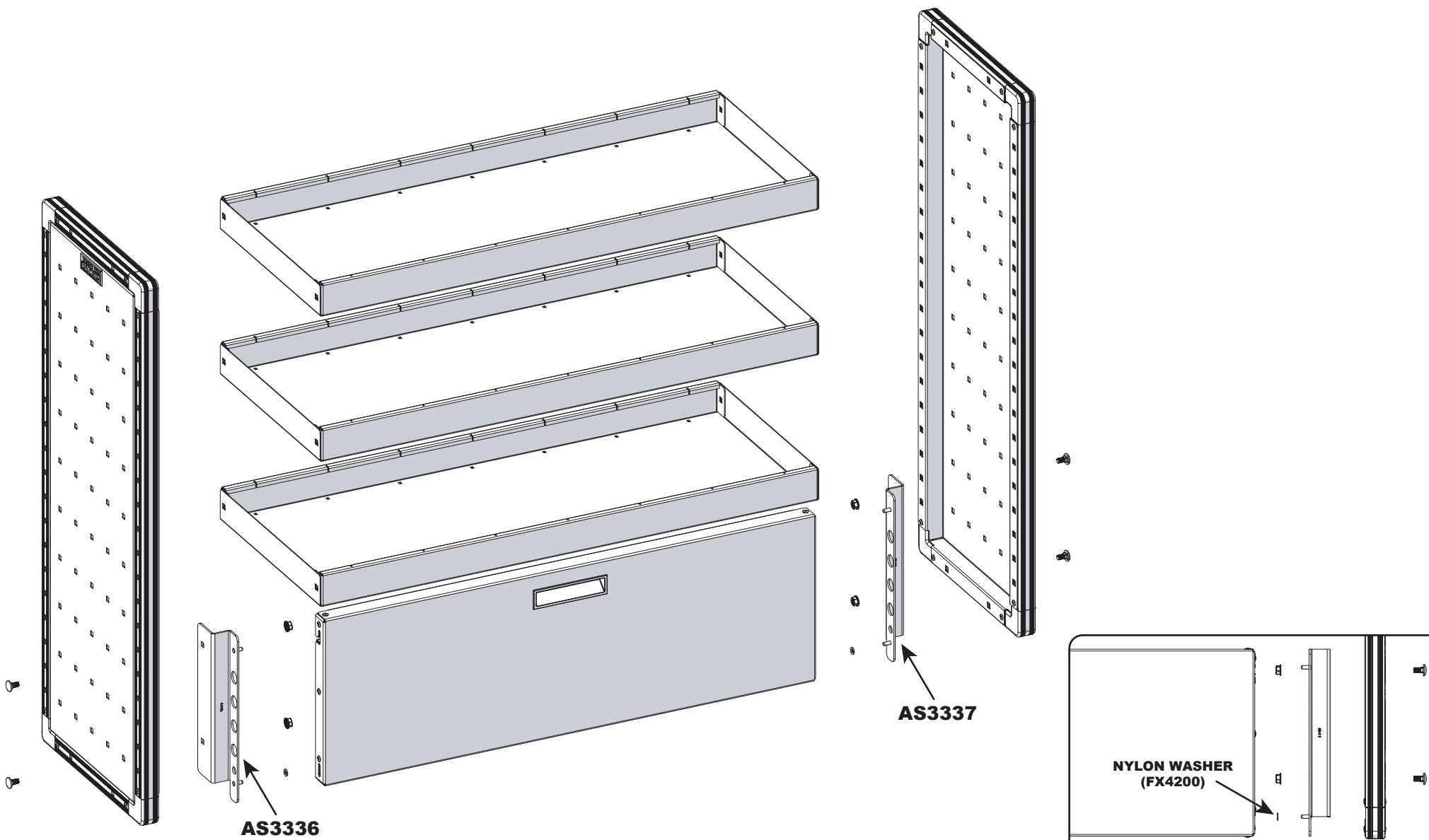
IN8259_C (CN:00240)

Van Guard Accessories Ltd
Fair Oak Close, Exeter Airport Business Park,
Exeter, Devon, EX5 2UL
www.van-guard.co.uk

01

To attach the drop-down door to a single unit, follow this instruction. If you're installing it on racking with multiple units, refer to page 3.

Align the spigots on the fixing brackets with the lower slots of the drop-down door, using a nylon washer between the bracket and the door. Place the drop-down door into position and secure the fixing brackets to the side panels using M8x16 coach bolts and M8 flange nuts.



02

For attaching the drop-down door to racking with multiple units, please follow this instruction. If you are installing it on a single racking unit, refer to page 2.

Align the spigots on the fixing brackets with the lower slots of the drop-down door, using a nylon washer between the bracket and the door. Place the drop down door into position and secure the fixing brackets to the side panels using M8x16 coach bolts and M8 flange nuts.

Note: Ensure the racking side panels are oriented as indicated below with the label on the middle side panel(s) facing as shown.

